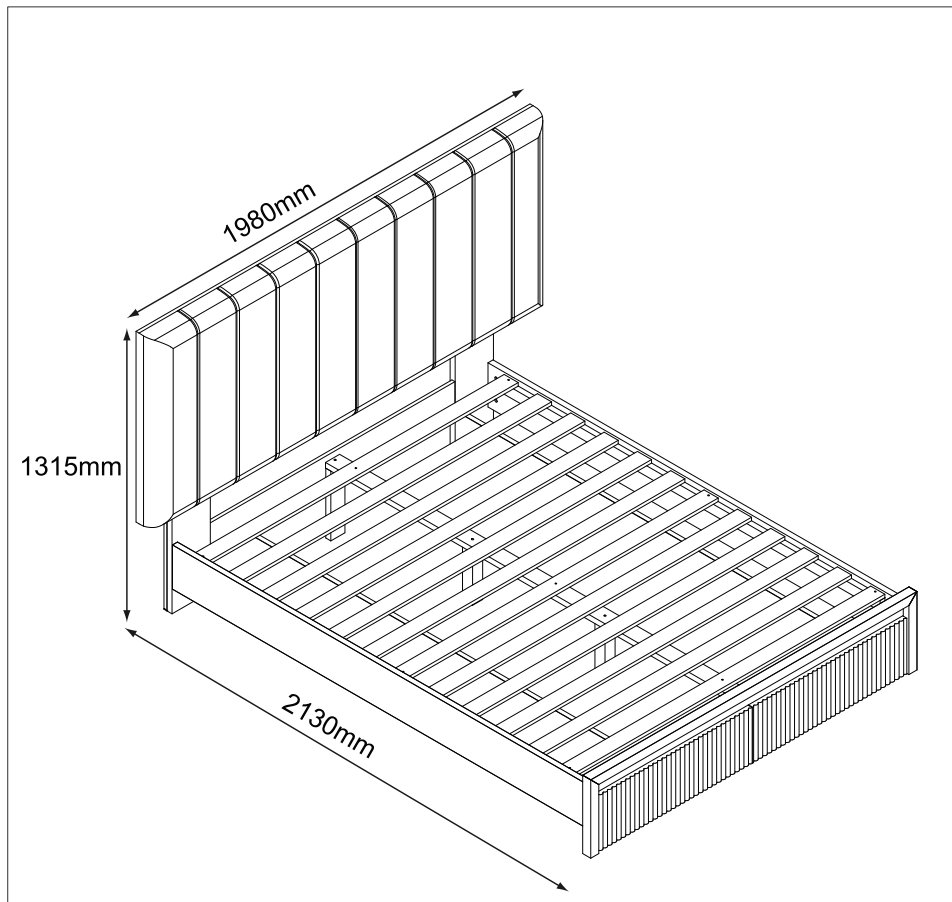




ASSEMBLY INSTRUCTION  
TRINELL QUEEN BED  
ITEM CODE 88153

Imported by Amart Furniture Pty Ltd, Qld, Brisbane Australia.  
For any assistance with assembly or for missing parts please phone  
Amart Furniture Road, Customer Service Free call 1800 351 084

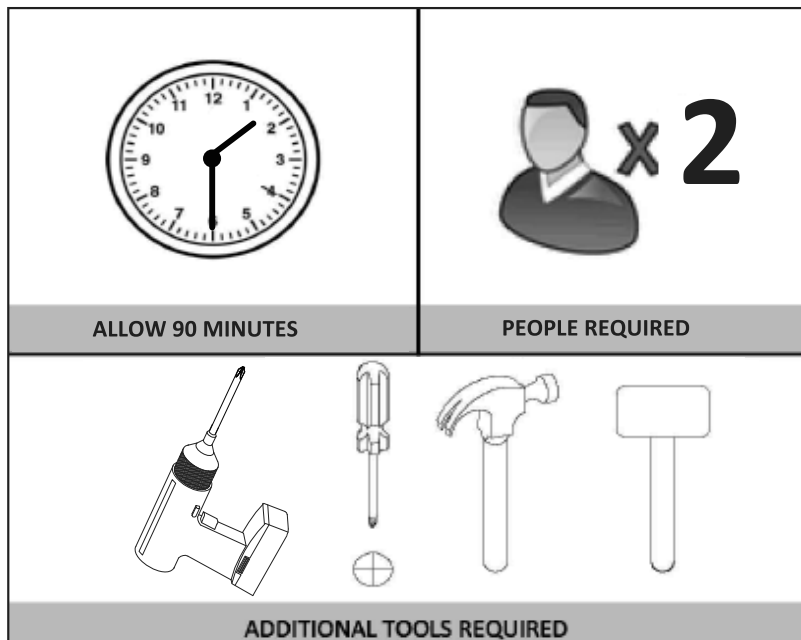


Imported by Amart Furniture Pty Ltd, Qld, Brisbane Australia.  
For any assistance with assembly or for missing parts please phone  
Amart Furniture Road, Customer Service Free call 1800 351 084

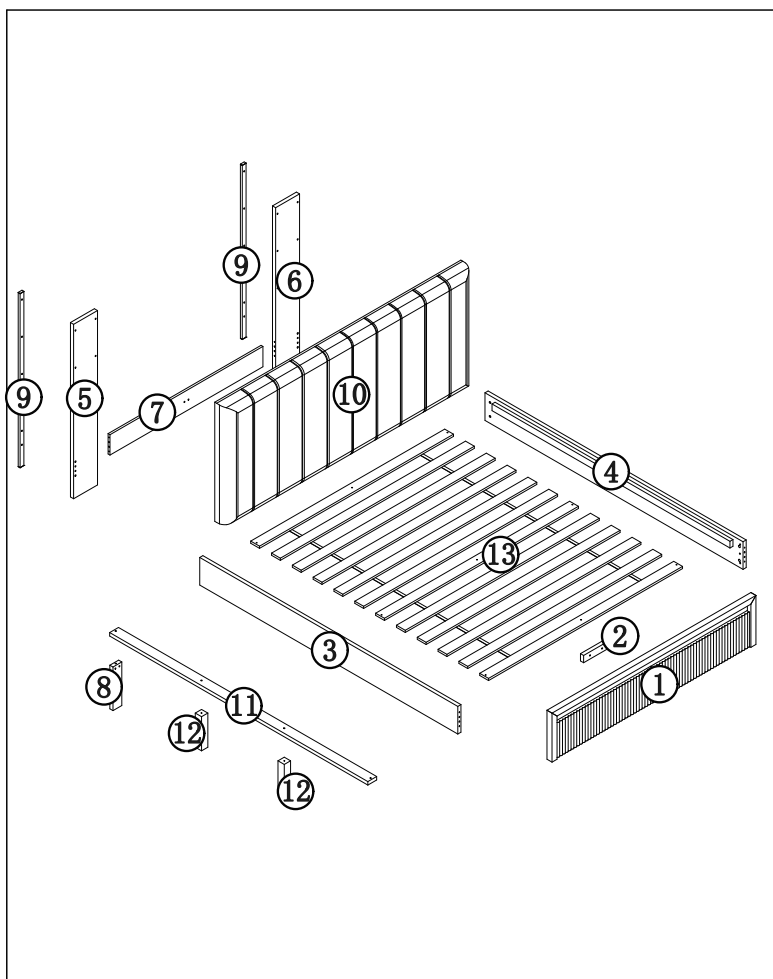
## PRE-ASSEMBLY PREPARATION

### Before you start:



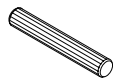









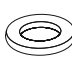
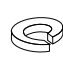



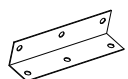
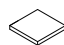
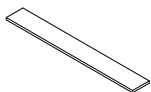
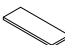
1. Choose a clean, level, spacious assembly area. Avoid hard surfaces that may damage the product.
2. Take care when lifting. Product should be assembled as near as possible to the point of use.
3. Ensure that you have all required contents for complete assembly.
4. Always read the assembly instructions carefully before beginning assembly.
5. Keep all hardware parts and packaging out of reach of small children.
6. Do not over tighten the screws and bolts as this may damage the threads.



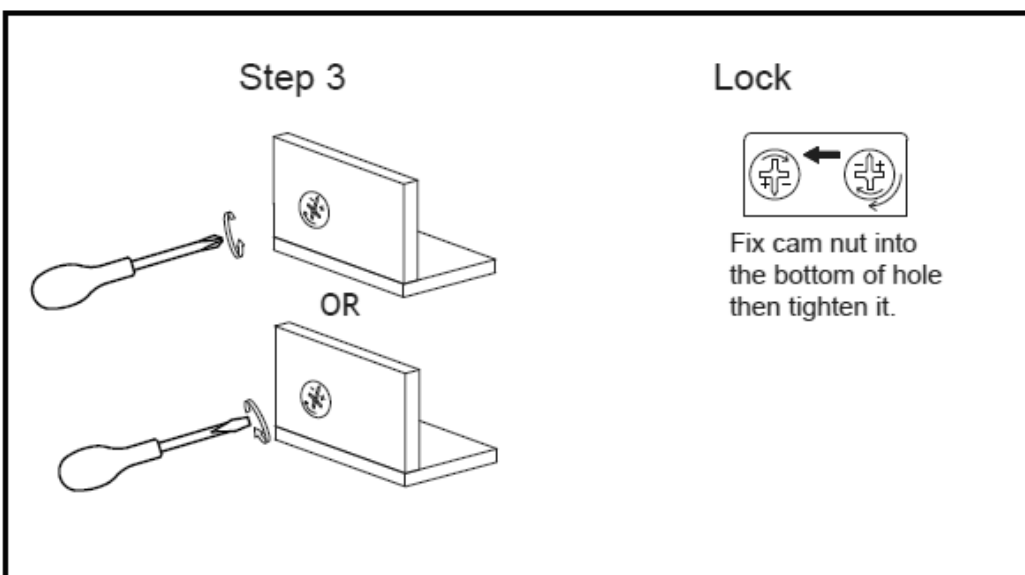
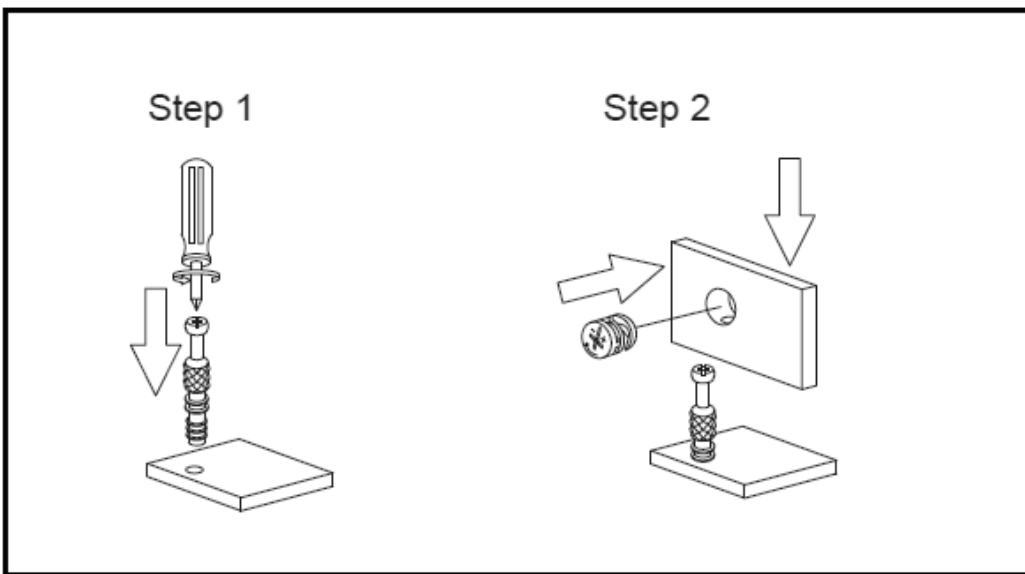
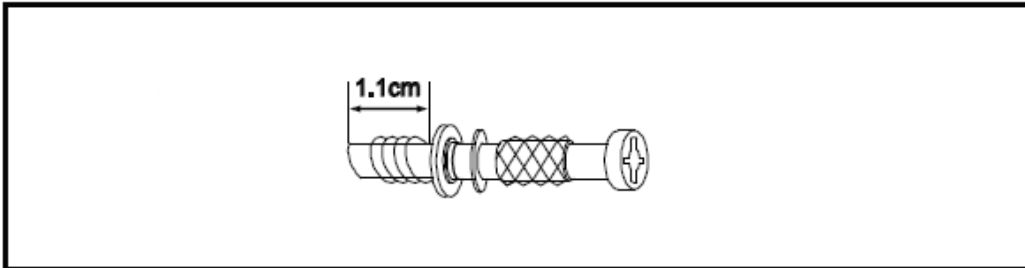
# PARTS LIST



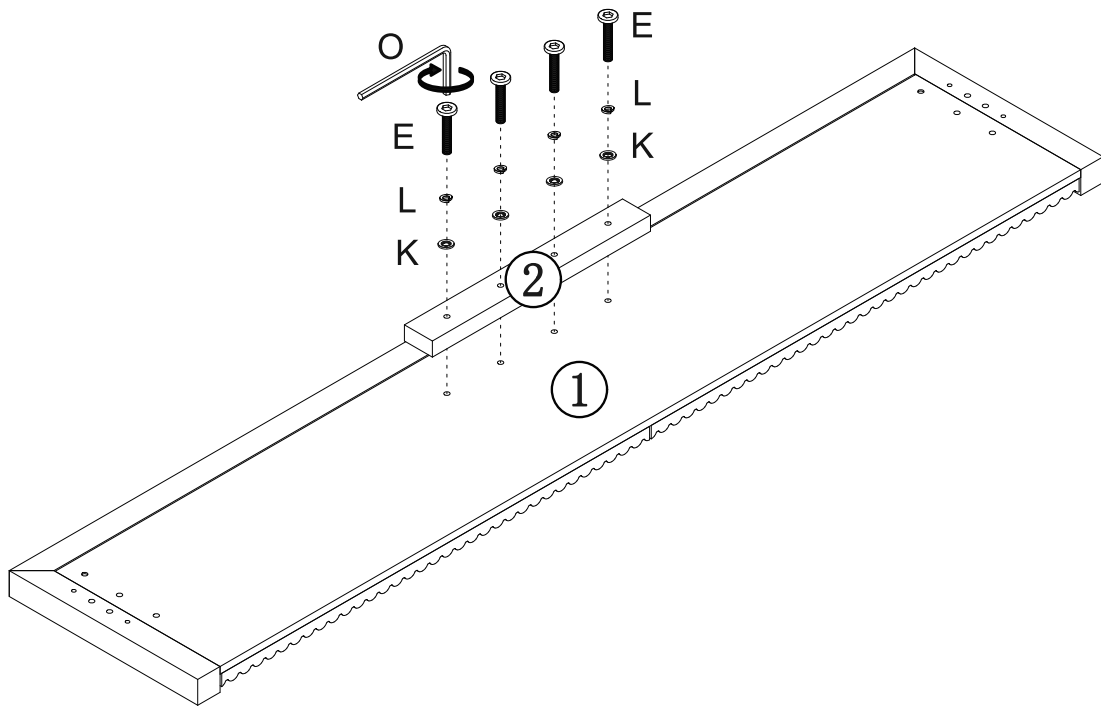
1	Footboard
2	Support panel
3	Side panel
4	Side panel
5	Support panel
6	Support panel
7	Support panel
8	Leg
9	Metal parts
10	Headboard
11	Support panel
12	Leg
13	Slat

<b>A</b> cam pin  M7×48mm 8×A	<b>B</b> cam lock  8×B	<b>C</b> dowel  M8×50mm 12×C	<b>D</b> allen key  M6×16mm 12×D	<b>E</b> bolt  M6×40mm 10×E	<b>F</b> bolt  M6×45mm 6×F
<b>G</b> bolt  M6×60mm 6×G	<b>H</b> bolt  M8×100mm 4×H	<b>I</b> nut  4×I	<b>J</b> allen key  1×J	<b>K</b> washer  34×K	<b>L</b> washer  34×L
<b>M</b> washer  4×M	<b>N</b> washer  4×N	<b>O</b> allen key  1×O	<b>P</b> adjustable foot  2×P	<b>Q</b> screw  M4×30mm 9×Q	<b>R</b> angle iron  2×R
<b>S</b> foot pad  2×M	<b>T</b> foot pad  2×N	<b>U</b> foot pad  1×O			

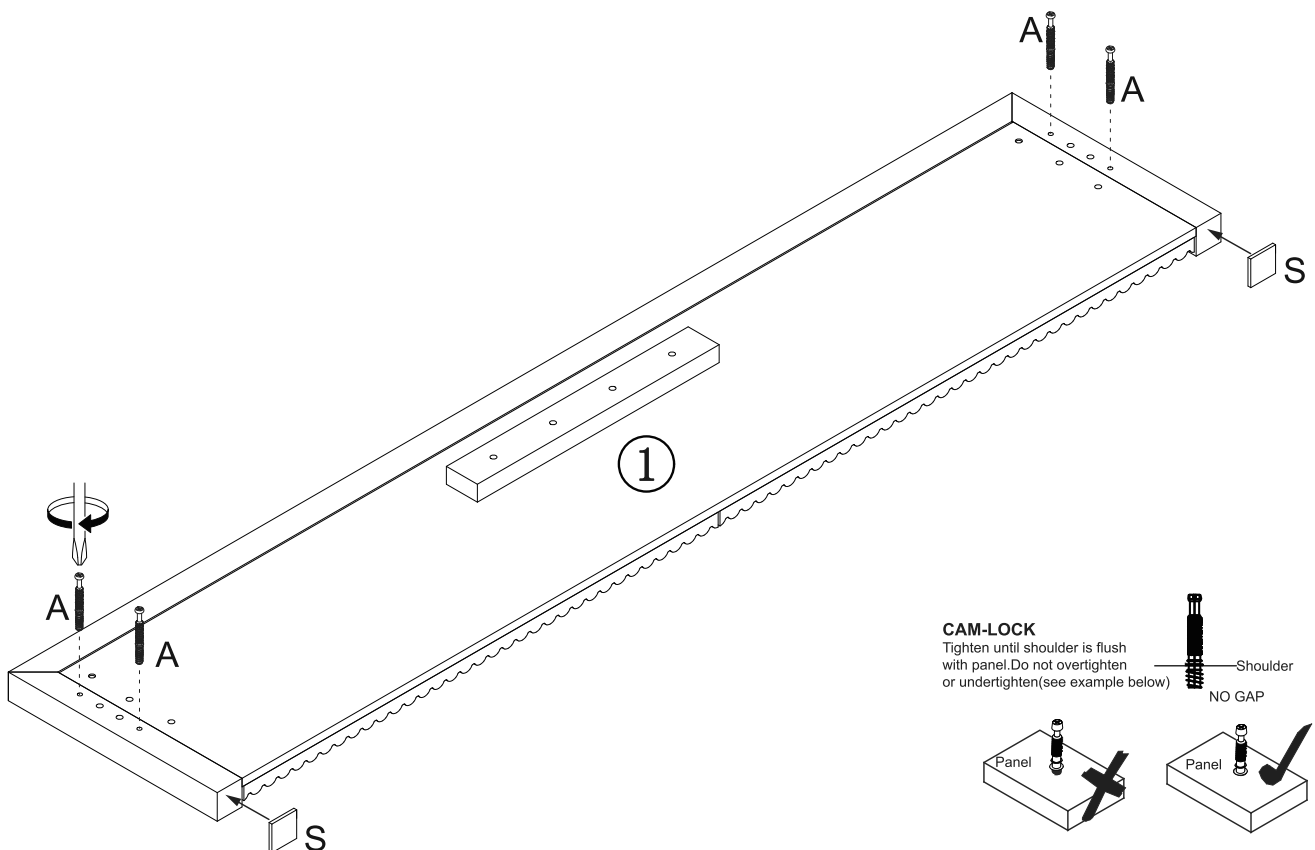
# CAM LOCK INSTALLATION



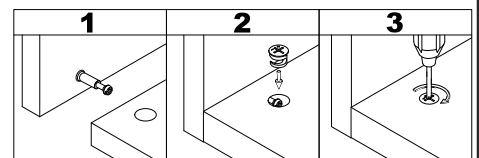
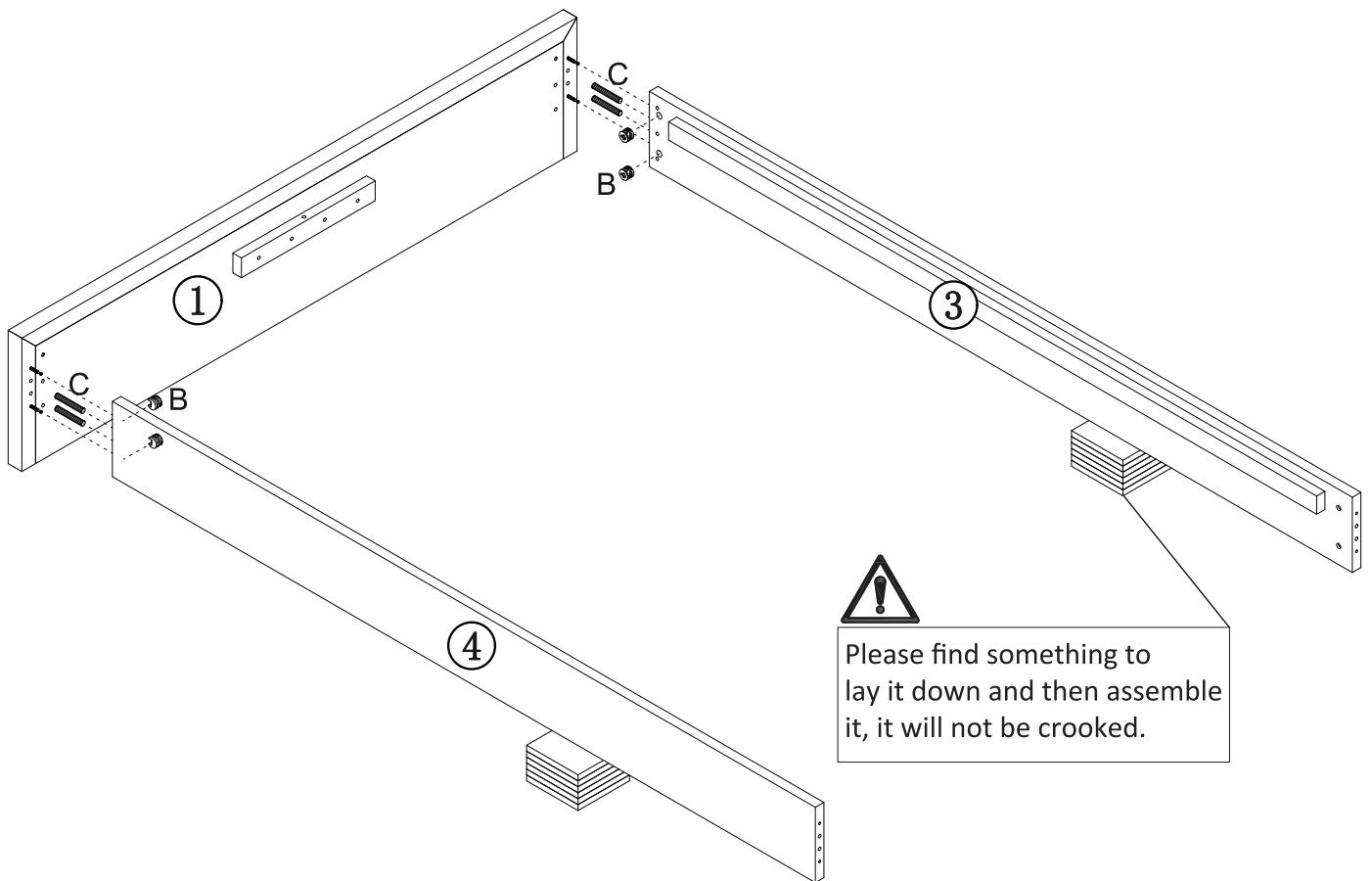
STEP1: Attach panel (2) to panel (1) with washer (L& K) and bolt (E) using allen key (O).



STEP2: Fix cam pin (A) and foot cap (S) to panel (1).

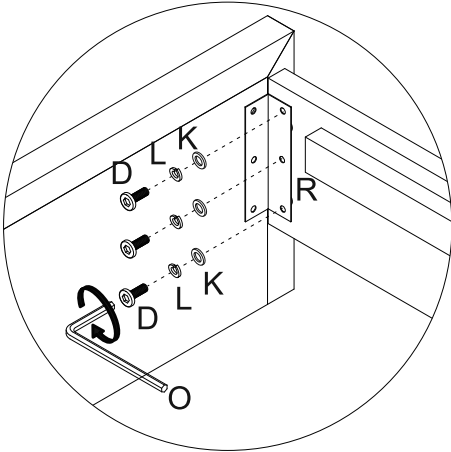


STEP3: Attach panel (1) to panel (3&4) with cam lock (B) and dowel (C).

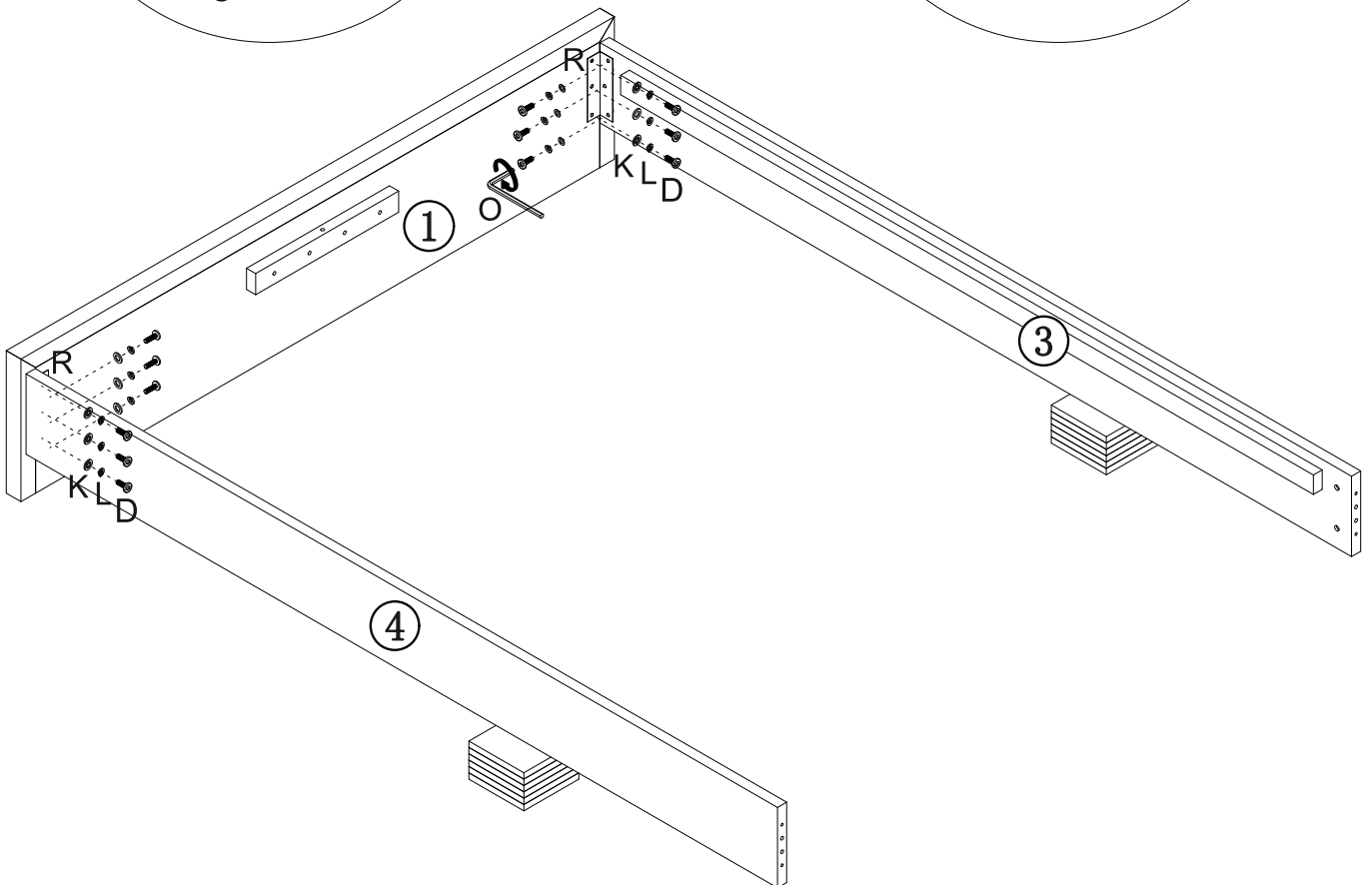
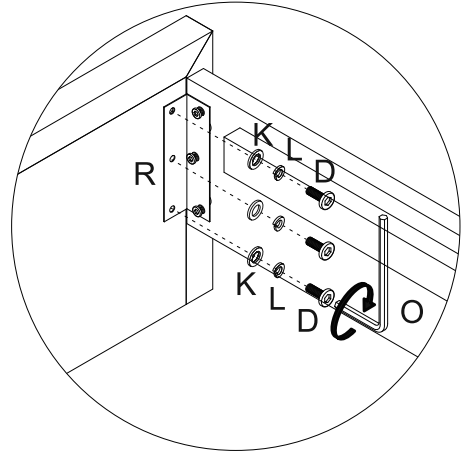


STEP4: Fix angle iron(R) to panel (1&3&4) with washer (L& K) and bolt (D) using allen key (O).

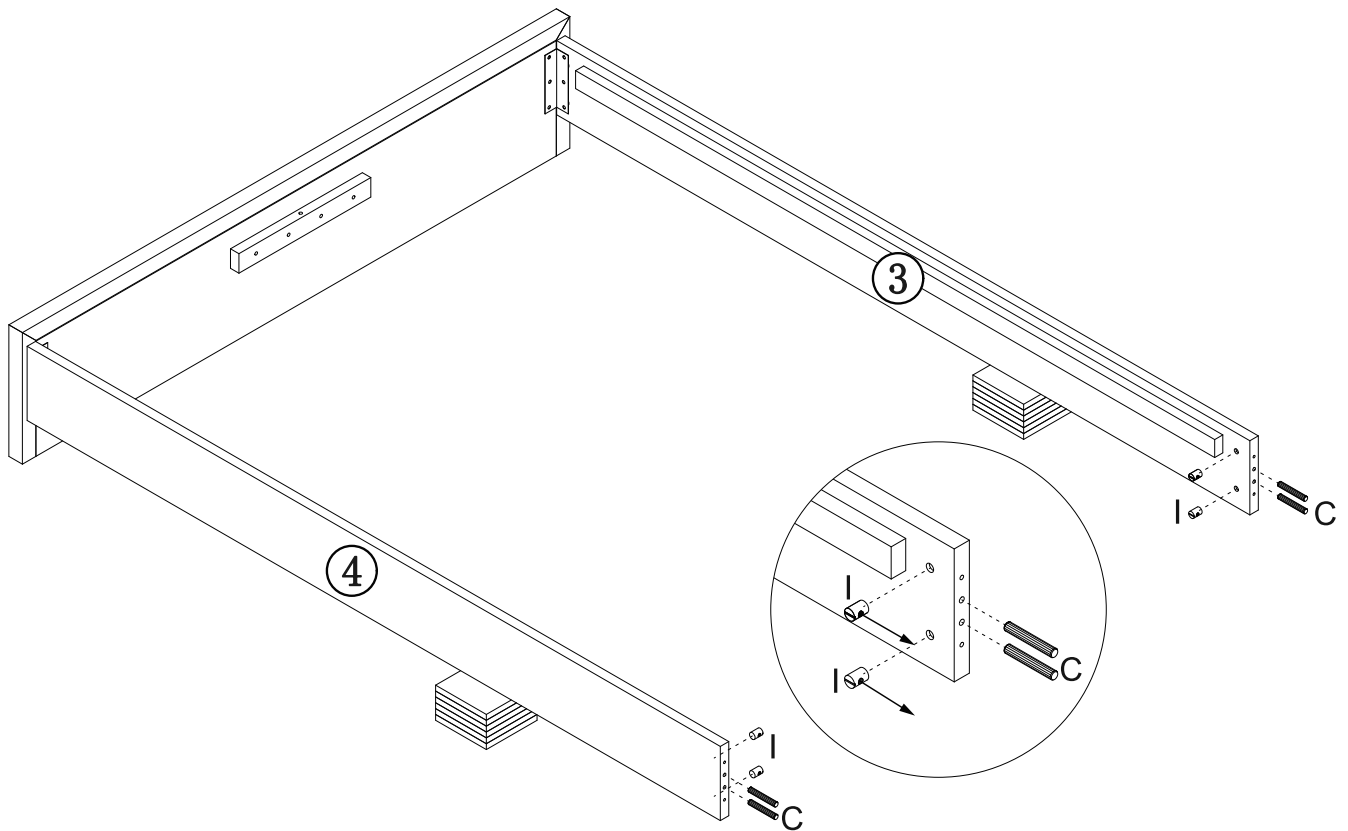
4.1



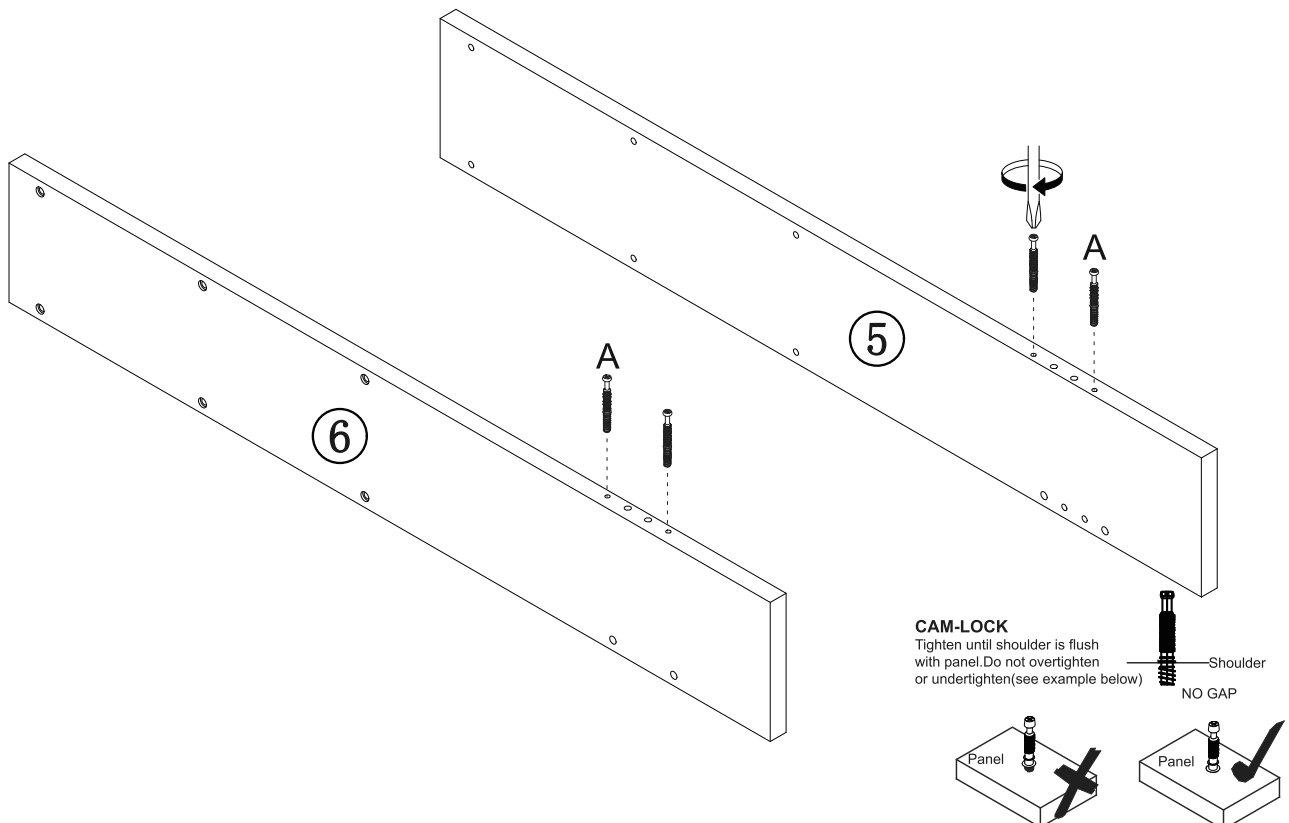
4.2



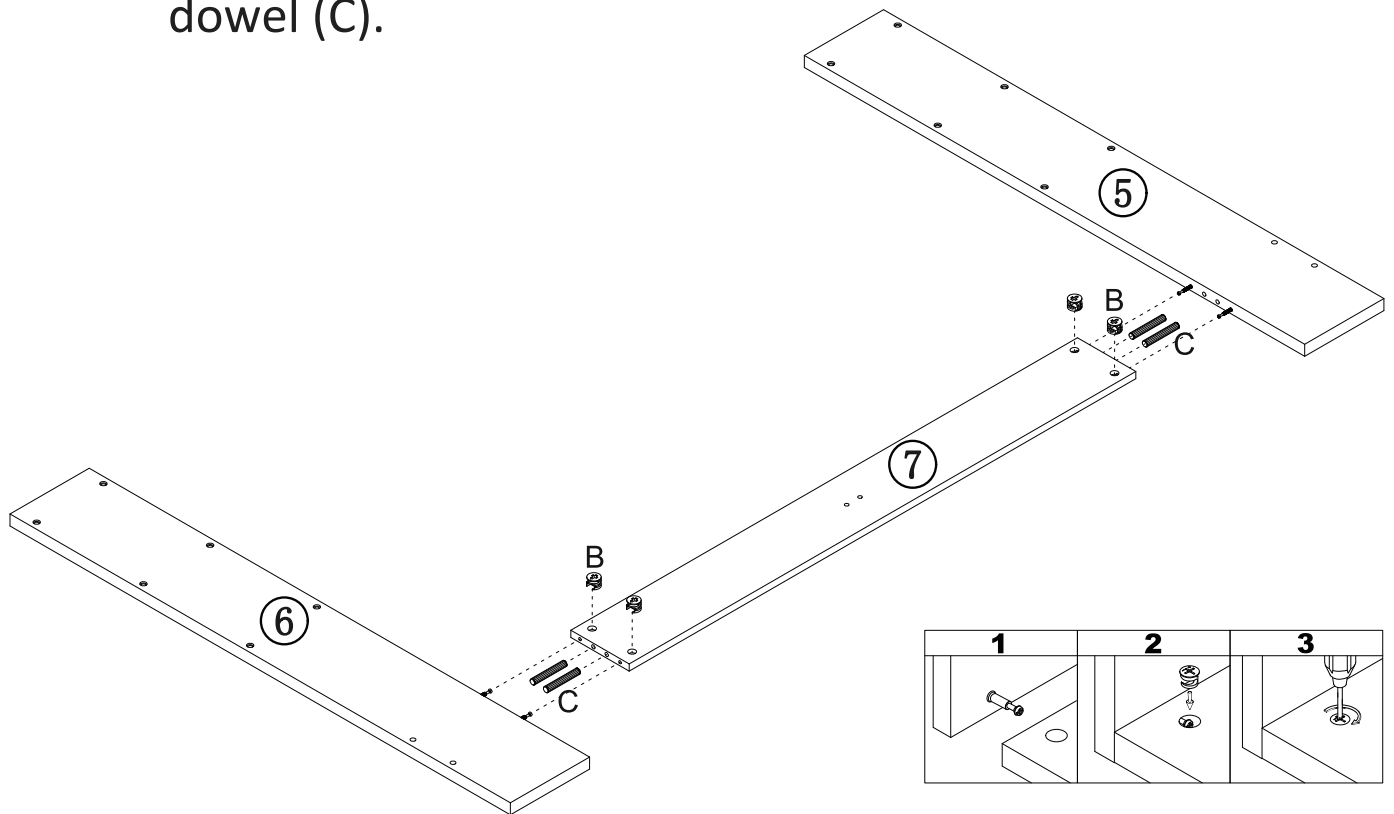
STEP5: Insert nut (I) and dowel (C) to panel (3&4).



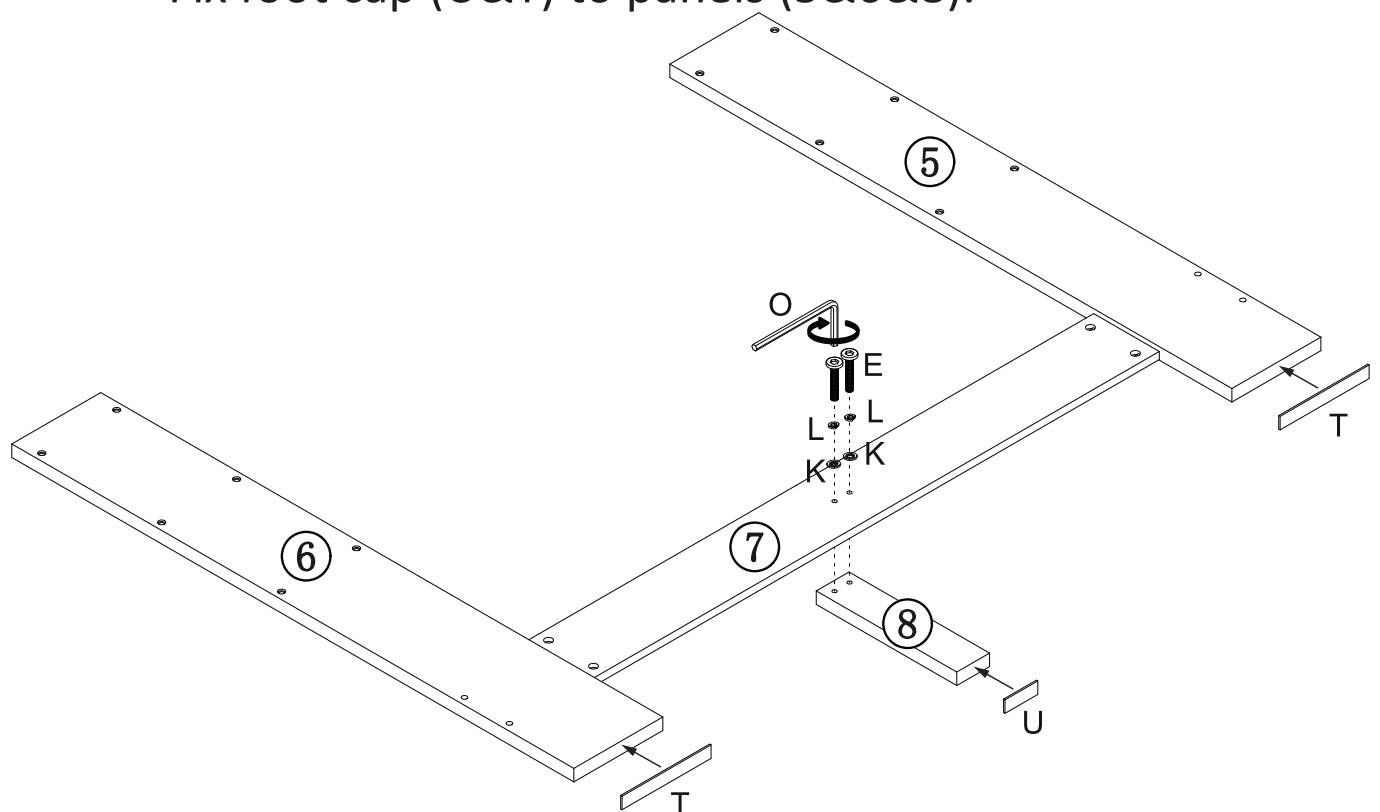
STEP6: Fix cam pin (A) to panel (5&6).



STEP7: Attach panel (7) to panel (5&6) with cam lock (B) and dowel (C).

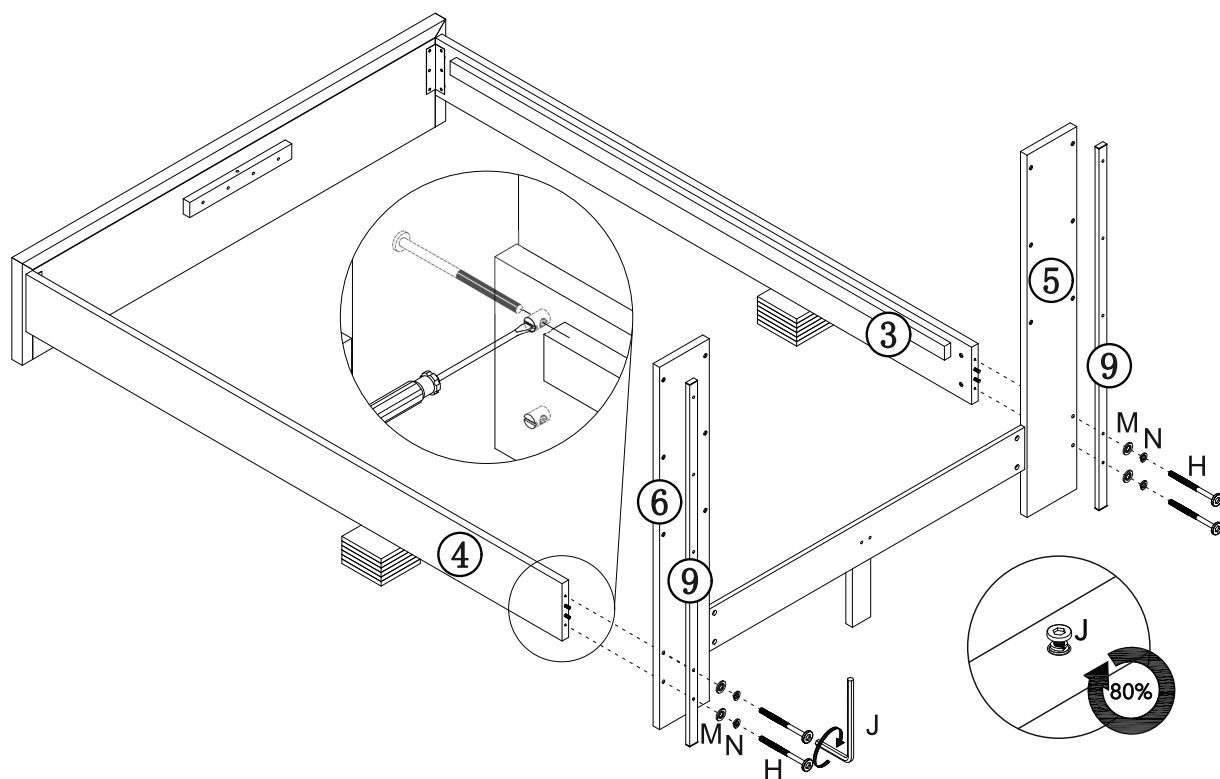


STEP8: Attach panel (7) to panel (8) with washer (L& K) and bolt (E) using allen key (O).  
Fix foot cap (U&T) to panels (5&6&8).



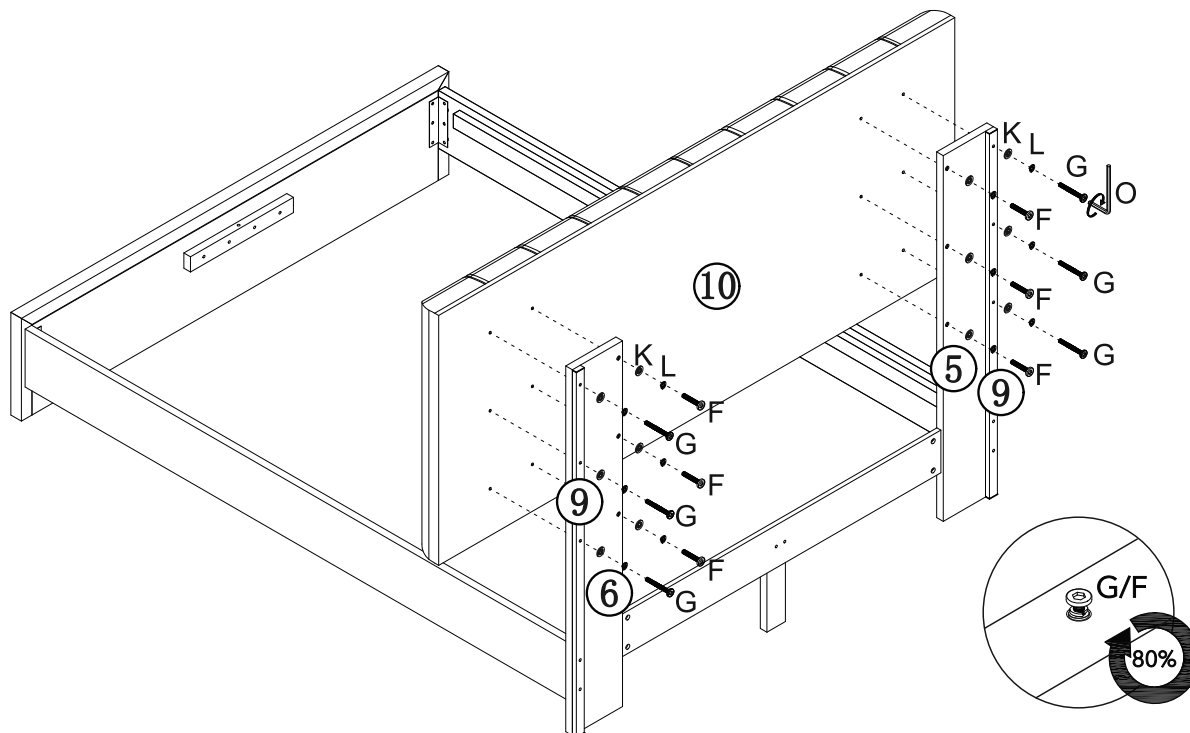
STEP9: Attach panel (9) to panel (5&6) with washer (M& N) and bolt (H) using allen key (J).

Please do not fasten tightly , till finishing steps (9& 10).

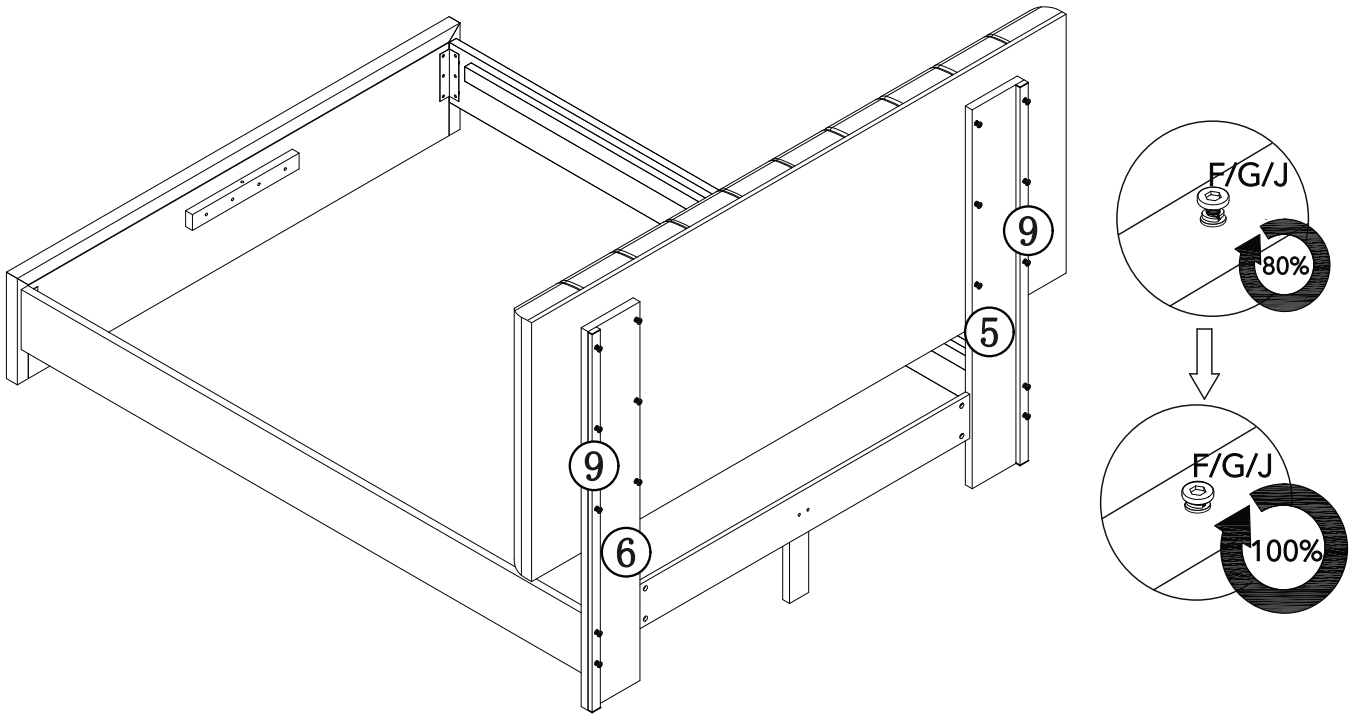


STEP10: Attach panel (10) to panel (5&6) with washer (L& K) and bolt (G) using allen key (O).

Please do not fasten tightly , till finishing steps (9& 10).

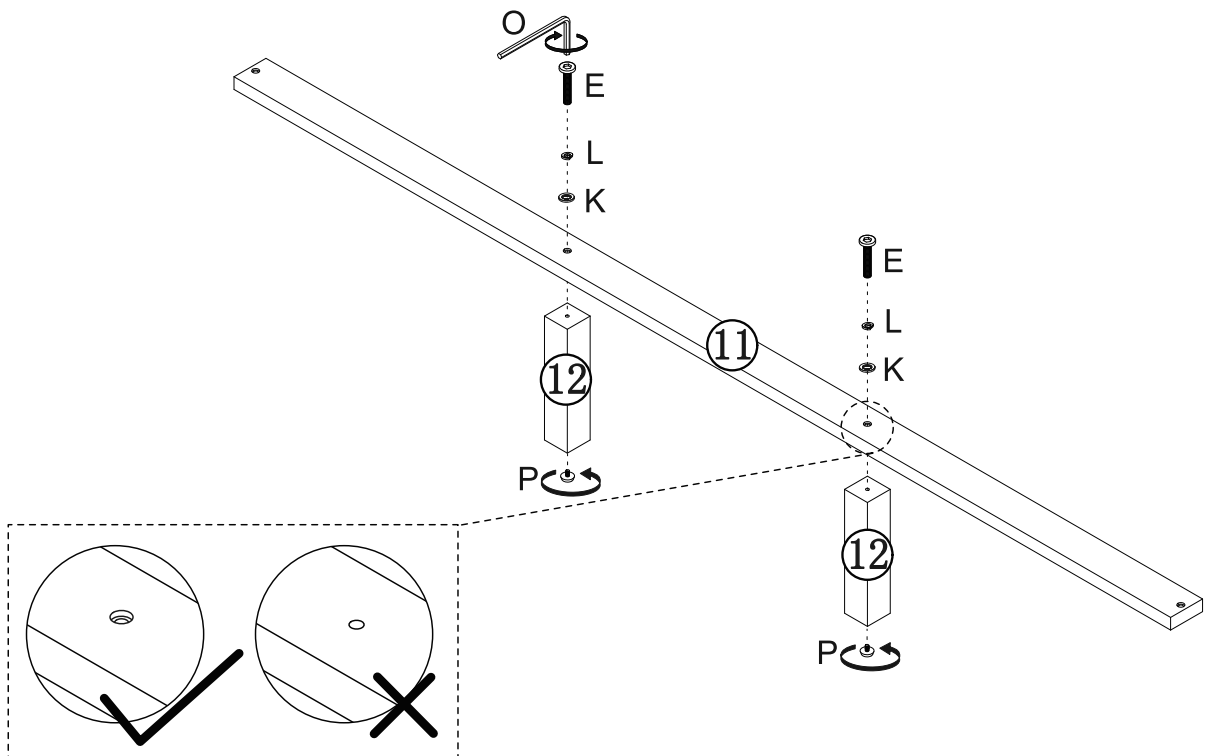


STEP11: Fasten parts tightly as shown.

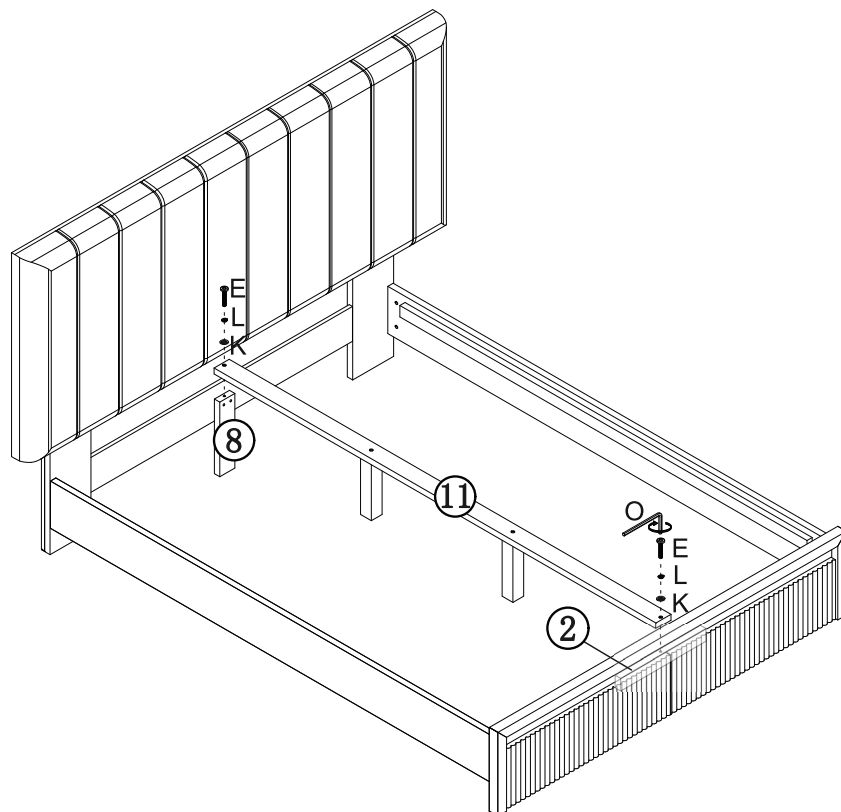


STEP12: Fix adjustable foot (P) to panel (12).

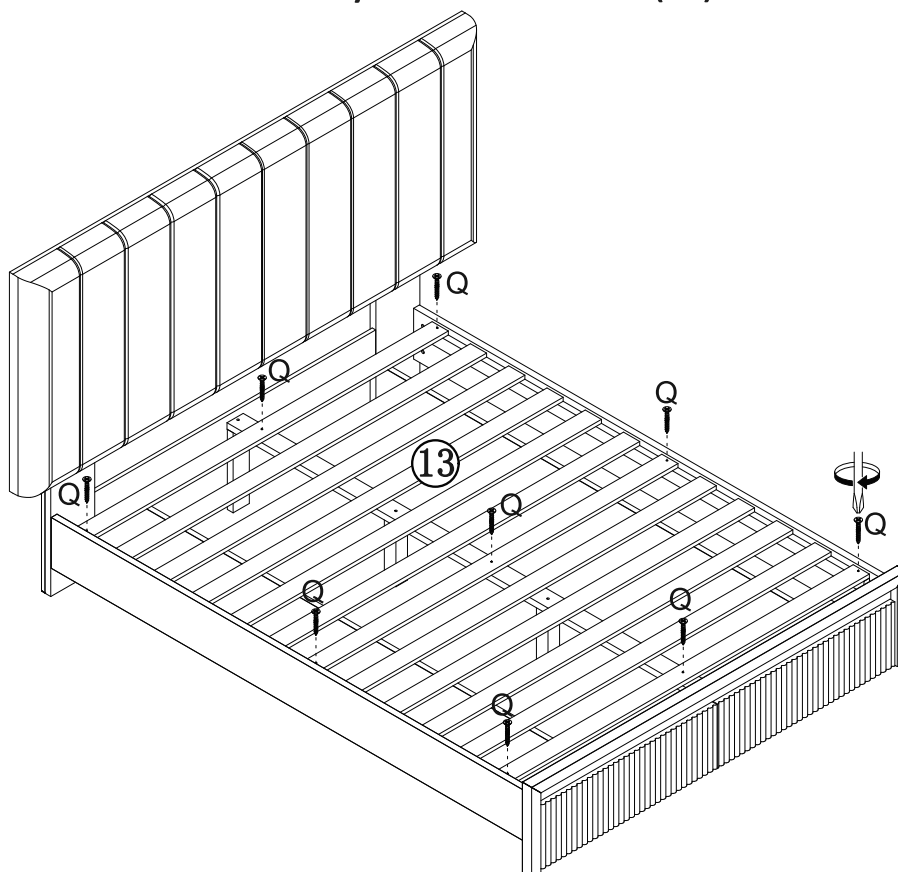
Fix panel (12) to panel (11) with washer (L& K) and bolt (E) using allen key (O).



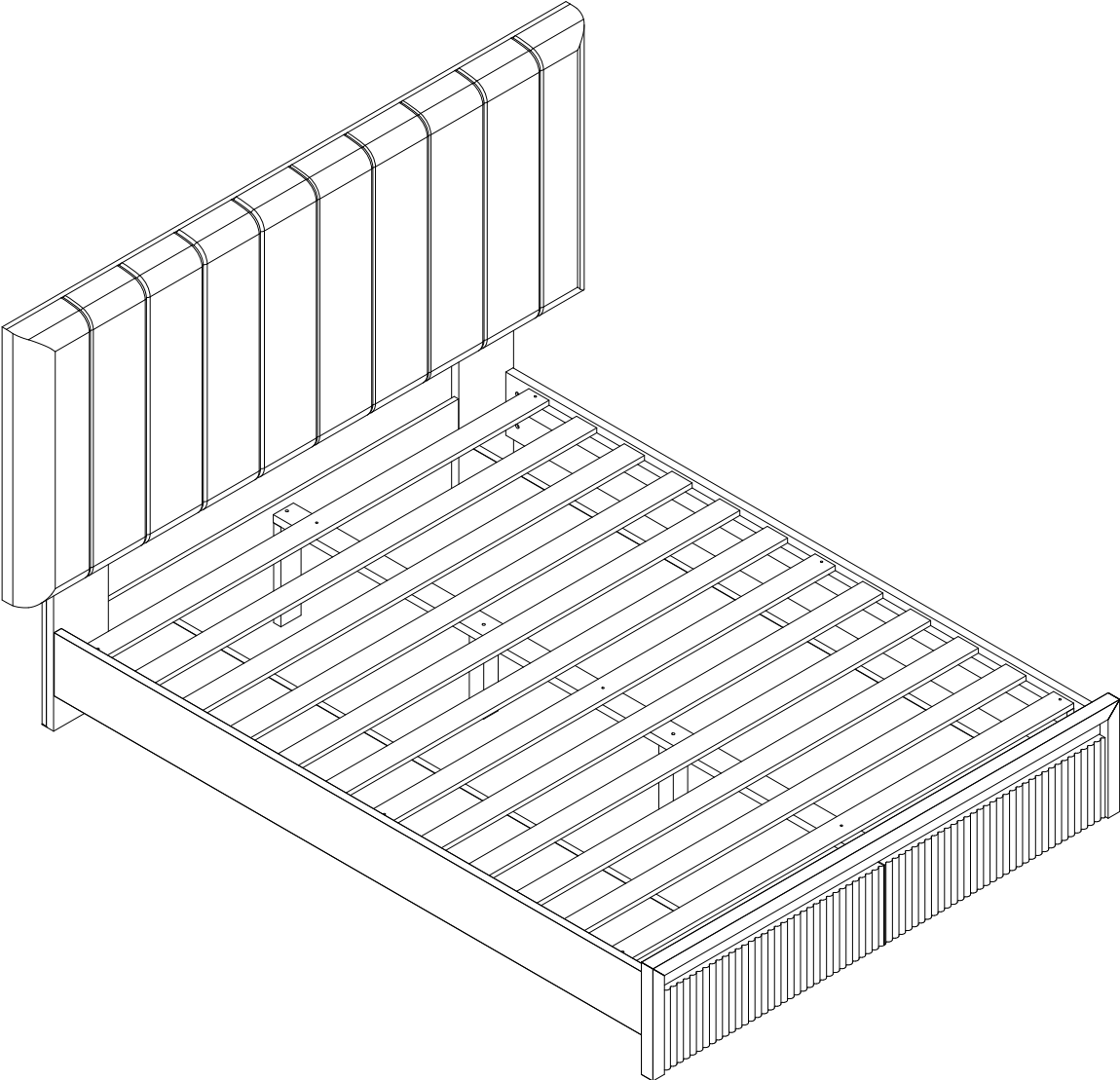
STEP13: Attach panel (11) to panel (2&8) with washer (L& K) and bolt (E) using allen key (O).



STEP14: Fix slat to the body with screws (Q).



ASSEMBLY IS COMPLETE



# General Product Care

To protect your furniture, we suggest the following:

- Avoid placing your furniture in direct sunlight.
- Do not place furniture directly under windows.
- Do not place sharp materials (knife, fork, etc.) directly onto your furniture as sharp material may scrape and damage the finish.
- Do not place material with high temperature directly onto the surface of your furniture.
- Clean up spills quickly. Water left over a prolonged period of time may cause damage. Alcohol, perfume, nail polishes, aftershave and some medication may cause severe finish damage if not cleaned immediately.
- Use a clean, soft, dry, lint free absorbent cloth to clean your furniture. Do not use any detergent as they may contain ingredients that may react and damage the finish.

# Product Care for Fabric Items

## **REGULAR CARE:**

- Protect from direct sunlight
- Vacuum regularly using low suction
- Rotate reversible cushions regularly
- Avoid exposure to new clothing, cushions or throws as this may lead to dye transfer and permanent staining

## **CLEANING:**

- Do not remove cushion covers for separate cleaning even though they may have zippers
- Do not wash, Do not dry clean, Do not shampoo clean
- Clean only with hot water extraction machine. Professional cleaning recommended
- Do not use dishwashing liquid or laundry detergent. Use only upholstery detergents
- Do not wet filling
- Dry in shade away from direct heat and sunlight
- Allow to dry thoroughly before re-use

## **SPOT CLEANING:**

- Do not rub
- Do not spot clean with any solvent
- Treat spills and stains as soon as possible
- Gently scrape off any soil or blot any liquid from the surface of the fabric before applying cleaner
- Apply proprietary cleaning agents strictly according to instructions to remove the residue of the spill
- Do not saturate the fabric or interior with water or other cleaning liquids

## **WARNING:**

Apply only water-based soil resist (fabric protection) treatments. Do not use aerosol products

\* PILLING IS NOT A FABRIC DEFECT OR FAULT AND IS NOT COVERED BY WARRANTY

\* PILLING IS A NORMAL OCCURRENCE IN WOVEN FABRICS AND DOES NOT AFFECT THE DURABILITY OR FUNCTIONALITY OF THE FABRIC. IT IS EASILY REMOVED BY USE OF A BATTERY OPERATED DE-PILLING MACHINE AS THE NEED ARISES